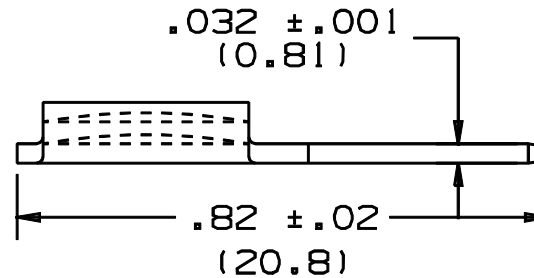
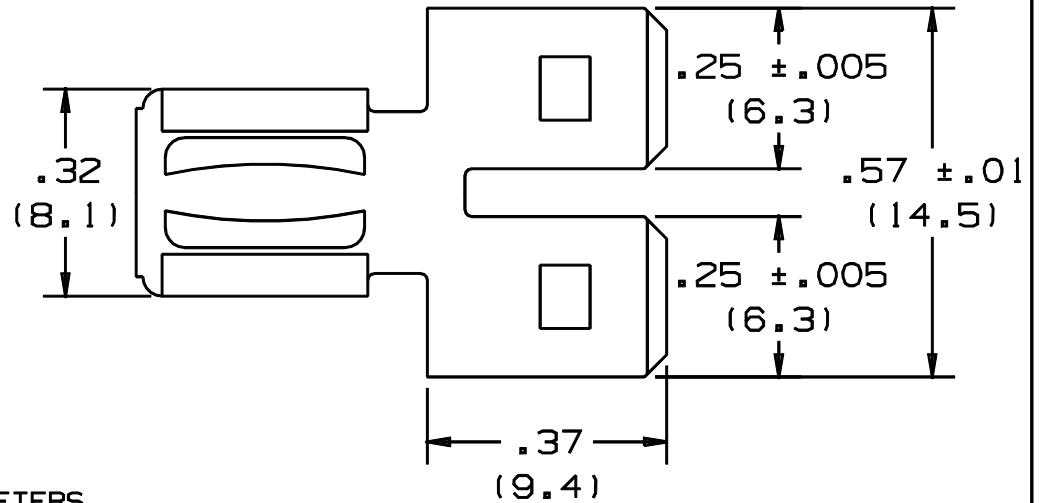



THIS COPY IS PROVIDED ON A RESTRICTED BASIS AND IS NOT TO BE USED IN ANY WAY DETRIMENTAL TO THE INTERESTS OF PANDUIT CORP.

NOTES:

1. D-250A DISCONNECT ADAPTER
COUPLES TWO FEMALE DISCONNECTS
TO ONE MALE DISCONNECT
ALL .250 X .032 (6.3 X 0.8)
2. MATERIAL:
A. STAMPING: TIN PLATED BRASS
3. PACKAGE QTY:
A. STD: -C = 100
B. BULK: -M = 1000
4. DIMENSIONS IN BRACKETS ARE IN MILLIMETERS



A41323_05

05	1/01	RM		FILESPEC WAS N41323AA_PCD_04				 TINLEY PARK, ILLINOIS
04	12/94	TH		ADDED TOLERANCES	02707			
03	5/92	BK	RLS	UPDATED NOTES TAB WIDTH DIMENSION WAS .25 (6.4)	00967		KS	
2	8-88	DW		REDRAWN WITH REVISIONS			JB	
.250 (6.3) DISCONNECT ADAPTER D-250A								
REV	DATE	BY	CHK	DESCRIPTION	ECN #	CUST	PM	DRAWN BY: DAW CHK'D: CJH SCALE: NONE DRAWING NO.: A41323